

MILIMETER WAVE TRANSCEIVER



R&D SAMPLE

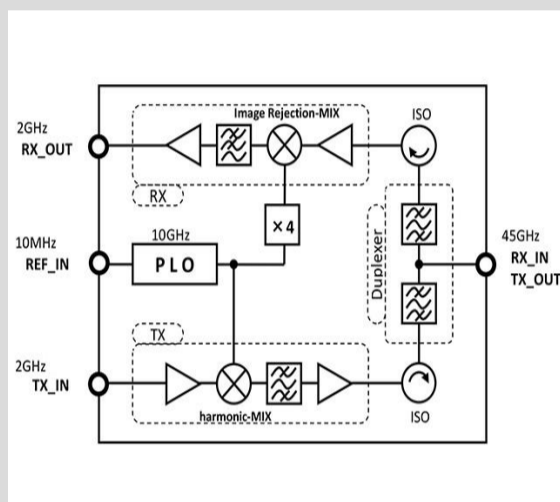


45GHZ BAND TRX

APPLICATION

- ◆ High speed data transmission
- ◆ Ka band communication solution
- ◆ Transportation communication

BLOCK DIAGRAM



FEATURE

In the 5G (next generation mobile communication system) in the communications field, new SHF band, quasi-millimeter wave to millimeter wave band frequencies are planned to achieve 100 times the transmission speed.

High-frequency products for quasi-millimeter and millimeter-waves

It is an indispensable product for high-speed and large-capacity products, and is being developed as an important technical theme.

We can also customize millimeter wave components and millimeter wave modules according to customer requirements.

SPECIFICATION

TRANSMIT SPECIFICATION

SPECIFICATION	
IF INPUT FREQUENCY	2GH BAND
RF INPUT FREQUENCY	45GHz BAND
GAIN	47 dB TYP.
OP1 dB	+23dBm MIN
SPRIOUS	65dBc MIN

RECEIVER SPECIFICATION

SPECIFICATION	
RF INPUT FREQUENCY	45GH BAND
IF OUTPUT FREQUENCY	2GHz BAND
GAIN	25 dB TYP.
NF	12dB MIN
SPRIOUS	60dBc MIN

SPECIFICATIONS OF PLO

SPECIFICATION	
FREQUENCY	10GHz
PHASE NOISE	-85 dBc / Hz
EXTERNAL INPUT REFERENCE	10MHz

CONNECTOR

SPECIFICATION	CONNECTOR
IF INPUT/ OUTPUT	SMA
RF INPUT/ OUTPUT	WR - 19
EXTERNAL POWER CONTROL	μ - Dsub

MILIMETER

H

WAVE TRANSCEIVER